

Over Easy Solar AS

Disassembly Process

Removing VPV units from container and pallets after transportation



TABLE OF CONTENTS

1	General information	3
2	Clearing container	3
3	Loading pallets on truck	4
4	Removing pallets	5
4.1	Step 1: Remove the top pallet	6
4.2	Step 2: Unscrew the top beams.....	8
4.3	Step 3: Remove both sides	9
4.4	Step 4: Remove the front and back	9

1 GENERAL INFORMATION

This general manual provides important information relating to handling of VPV units. To ensure that the VPV units are disassembled correctly, please read the following instructions carefully before removing the pallets from the containers. The disassembly of the VPV units require professional skills and should only be performed by qualified professionals. Failure to follow these instructions may result in injury or property damage.

This manual is valid for: xM-2 QUATTRO-200S.

2 CLEARING CONTAINER

The pallets must be removed from the container with the use of a forklift. In case of stacked pallet with 33 VPV units, be aware that due to the short distance (**8 cm**) between the container and the top of the VPV units, the forklift must not lift the pallet too high. Contact between the container and the VPV units may result in property damage.

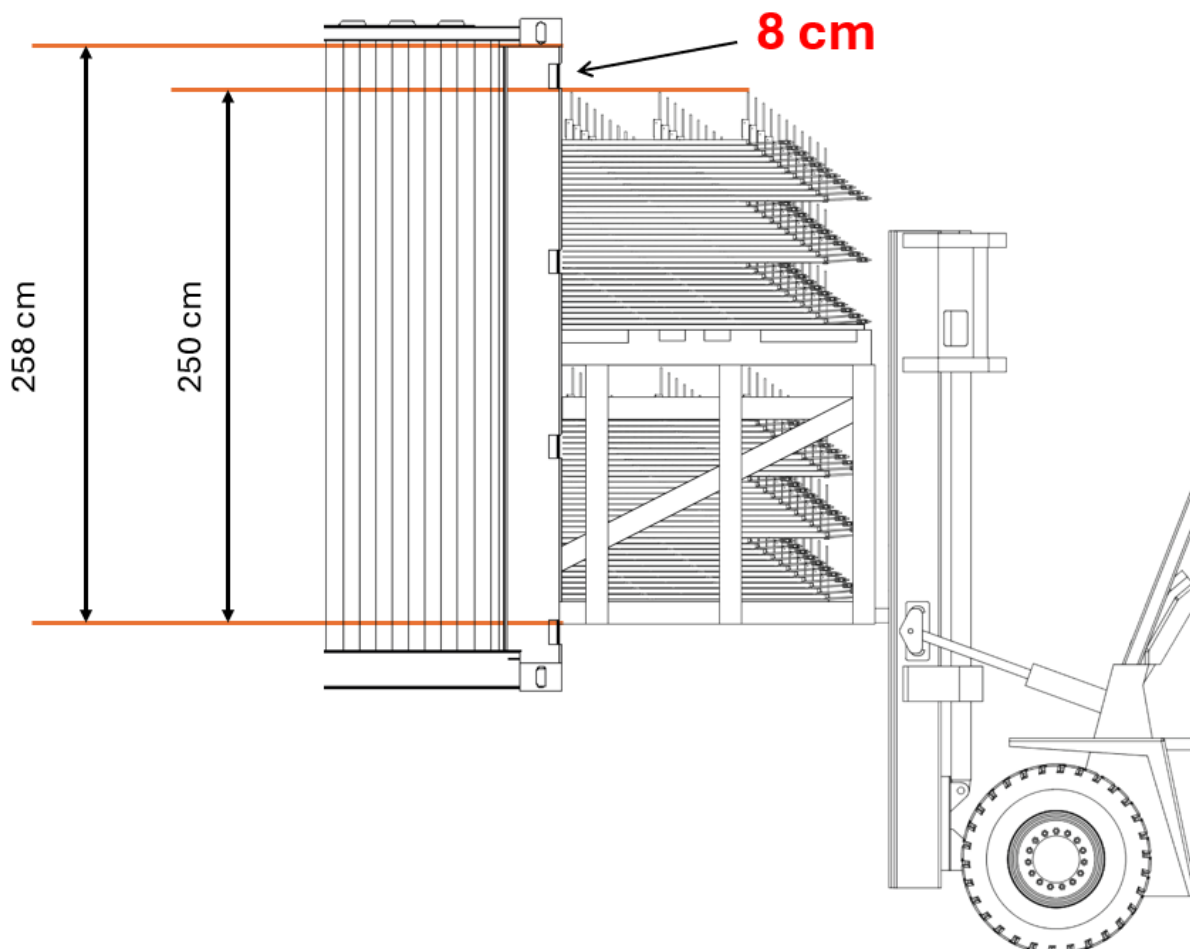


Figure 1: Height difference between the container and top of VPV unit

3 LOADING PALLETS ON TRUCK

It is very important to place pallets as shown in fig. 2 below. Each pallet must have a minimum of 2 long straps fixed to hooks of truck to avoid any movements during transport.

**Mandatory:
STRAP
PLACEMENT**

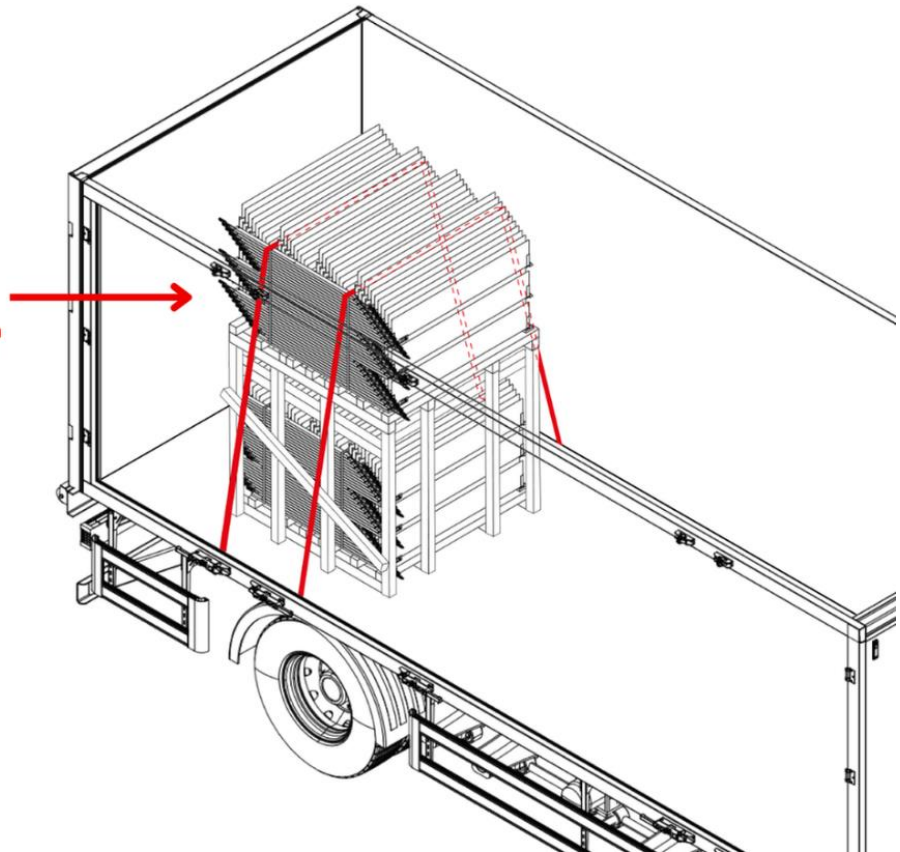


Figure 2: Representation of pallet position and straps on truck

4 REMOVING PALLETS

After removing the VPV units from the container/truck, please go to Step 1 if there are two pallets on top of each other or skip to Step 2 if there is only one pallet with armor.



Figure 3: Two pallets on top of each other

4.1 Step 1: Remove the top pallet

To remove the top pallet, first unscrew the 4 screws with washers (T20 or T25) that connect both pallets.



Figure 4: Screws connecting the upper and lower pallets

Then insert the forklift at a **90-degree** angle and lift the top pallet. Be aware that if the forklift enters with a descending angle, it may hit the top of the panels and cause them to break.



Figure 5: Positioning of the forks

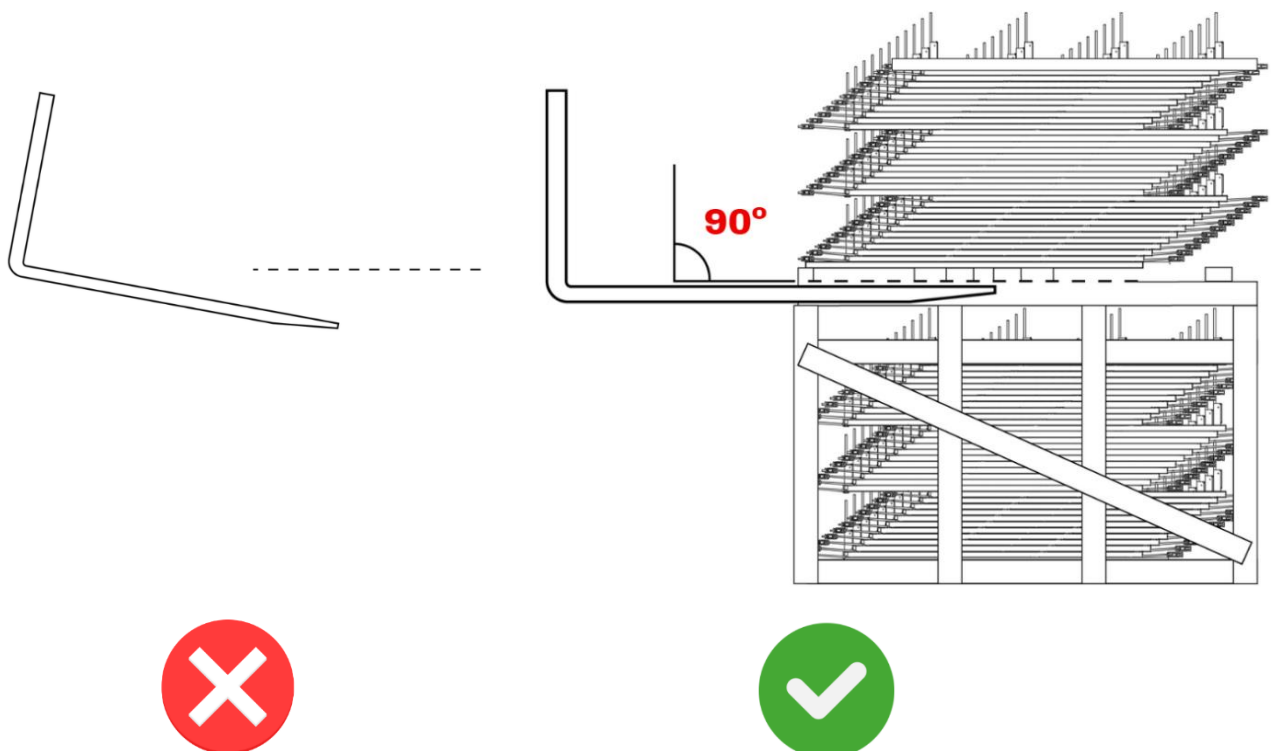


Figure 6: Correct Forklift Entry Angle to Prevent Panel Damage

4.2 Step 2: Unscrew the top beams

Once the top pallet has been removed, unscrew the 4 screws with washers (T25) that connect the top beams.



Figure 7: Representation of both top beam



Figure 8: Representation of the screws on the top beams

4.3 Step 3: Remove both sides

To remove both sides of the pallet, unscrew the 4 screws (T25) with washers on the laterals and unscrew the 8 screws (T40) at the bottom.



Figure 9: Representation of one of the sides

4.4 Step 4: Remove the front and back

Finally, unscrew the 8 screws (T40) at the bottom to remove the front and back sides.



Figure 10: Representation of the front



Over Easy Solar

Over Easy Solar AS / SEB ScaleCenter
co/Skandinaviska Enskilda Banken
FilipstadZ Brygge 1
0252 Oslo, Norway

www.overeasy.no
info@overeasy.no
Reg. no. MVA 926 521 381